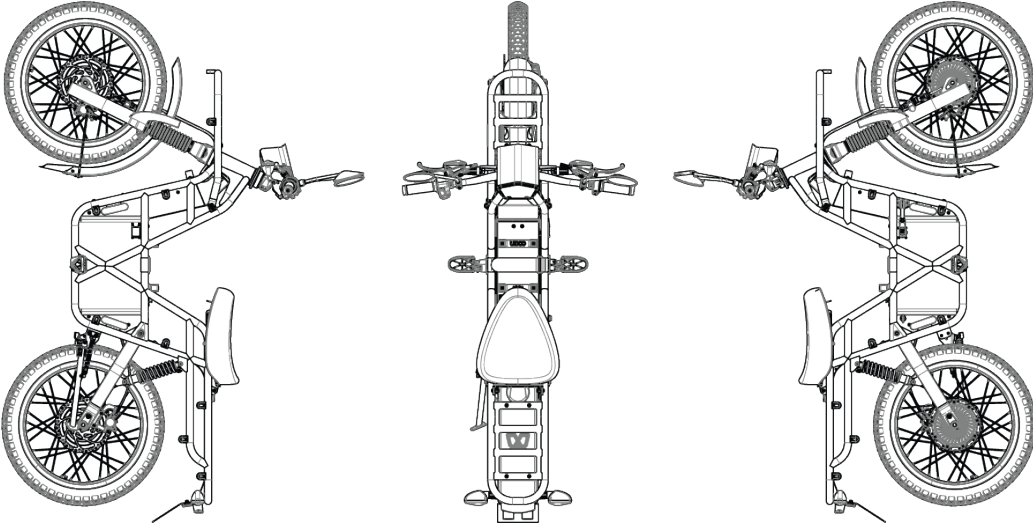


UBCO 2X2 PRE-DELIVERY INSPECTION

UBCO

UBCO Ltd requires this form to be completed for all sales agreements and a copy returned to your UBCO distributor for compliance, entry certification and warranty purposes. This inspection can only be performed by UBCO certified technicians.

VIN No: _____		KXH SN: _____	
Model type	ADV bike <input type="radio"/>	WRK bike <input type="radio"/>	KXH capacity
			KX2.1 <input type="radio"/>
			KX3.1 <input type="radio"/>
1. ASSEMBLY		OK	Remarks
Completed as per the dealer assembly instructions.		<input type="radio"/>	
2. ACCESSORIES INCLUDED		OK	
User manual		<input type="radio"/>	
2x Key fobs and 4x Security keys		<input type="radio"/>	
Battery strap		<input type="radio"/>	
Charger		<input type="radio"/>	
R/H side Kickstand (WRK bike only)		<input type="radio"/>	
			<p>Please indicate any faults, defects or transit damage on the diagram using codes:</p> <p>C = Chip CR = Crack S = Scratch SC = Scuff D = Dent PD = Paint drip</p> <p>Remarks:</p>
3. VISUAL INSPECTION		OK	OK
Frame	<input type="radio"/>	Display *N/A for WRK bike	<input type="radio"/>
Front Carrier	<input type="radio"/>	Headlight	<input type="radio"/>
Front Fork	<input type="radio"/>	Seat	<input type="radio"/>
Console covers	<input type="radio"/>	Rear Light assembly	<input type="radio"/>
Power supply	<input type="radio"/>	Swing Arm	<input type="radio"/>
Handlebars	<input type="radio"/>	Wheels	<input type="radio"/>
4. ESSENTIAL CHECKS		OK	OK
Axle Nuts - include Loctite 263	90Nm	<input type="radio"/>	Top Stem bolt 4Nm <input type="radio"/>
Swing arm bolt	45Nm	<input type="radio"/>	Steering Stem side bolts 15Nm <input type="radio"/>
Rear Torque arm bolt	15Nm	<input type="radio"/>	Foot peg mount bolts 22Nm <input type="radio"/>
Side stand fasteners	22Nm	<input type="radio"/>	Rear suspension fasteners 8Nm <input type="radio"/>
Brake caliper mount bolts	SR 12Nm/SYS2 19Nm	<input type="radio"/>	Brake disc fastener 7Nm <input type="radio"/>
5. STANDARD CHECKS		OK	Remarks
Steering & Battery lock operational	<input type="radio"/>	*Steering lock N/A for WRK bike	
Power Supply installed correctly, and seal is ok	<input type="radio"/>		
Power Supply plug is correctly adjusted	<input type="radio"/>		
Dielectric grease applied to power supply plug O-ring	<input type="radio"/>		
Steering operation	<input type="radio"/>		
Check all handlebar controls and fastener tightness	<input type="radio"/>		
Throttle movement smooth and returns	<input type="radio"/>		
Mirrors - position	<input type="radio"/>	*N/A for WRK bike	
Dielectric grease applied to motor cable connections	<input type="radio"/>		
Motor cable connector sleeves are fastened	<input type="radio"/>		

UBCO 2X2 PRE-DELIVERY INSPECTION



VIN No: _____	KXH SN: _____	
5. STANDARD CHECKS - CONTINUED	OK	Remarks
Front motor cable clears fork steering	<input type="radio"/>	
Protective cable trims (2x front & 2x rear consoles)	<input type="radio"/>	
Kickstand operation & lubricated	<input type="radio"/>	
Rear suspension set evenly (20mm thread exposed)	<input type="radio"/>	
Brake operation and zero leaks	<input type="radio"/>	
Brake pads / Brake caliper alignment	<input type="radio"/>	
Hub motors Front & Rear (Quiet & smooth)	<input type="radio"/>	
Equal Spoke tension	<input type="radio"/>	
No missing fasteners	<input type="radio"/>	
Tyre pressure in accordance with the user manual	<input type="radio"/>	
6. ELECTRICAL CHECK – 'ACC'	OK	
Key fob operation	<input type="radio"/>	
Display operation	<input type="radio"/>	*N/A for WRK bike
Headlight High-beam	<input type="radio"/>	*N/A for WRK bike
Horn Operation	<input type="radio"/>	
7. ELECTRICAL CHECK – 'RUN'	OK	
On & Off / Kill switch operation	<input type="radio"/>	
Kickstand Kill switch operation	<input type="radio"/>	*N/A for WRK bike
Headlight low beam	<input type="radio"/>	
Headlight High beam	<input type="radio"/>	*N/A for WRK bike
Front & Rear indicator lights operational	<input type="radio"/>	*N/A for WRK bike
Brake light operational with both levers	<input type="radio"/>	*N/A for WRK bike
Licence plate & rear running light operational	<input type="radio"/>	
Headlight alignment correct	<input type="radio"/>	
8. UBCO APP – Update firmware in below order	OK	
Connects to phone via Bluetooth	<input type="radio"/>	
ECU firmware updated	<input type="radio"/>	
ICU firmware updated	<input type="radio"/>	
BMS firmware updated	<input type="radio"/>	
Motor Config completed	<input type="radio"/>	
9. TEST RIDE	OK	
Handlebar alignment	<input type="radio"/>	
Throttle response smooth	<input type="radio"/>	
Brake operation, off-throttle & lever re-gen	<input type="radio"/>	
Speedo, ODO, Trip meter operational	<input type="radio"/>	*N/A for WRK bike
Suspension front and rear	<input type="radio"/>	
Steering smoothness	<input type="radio"/>	
General riding – power/acceleration/ feel	<input type="radio"/>	

TYPE OF SALE			
Authorized Dealer	<input type="radio"/>	Online Click & Collect	<input type="radio"/>
Online Direct to Consumer	<input type="radio"/>		<input type="radio"/>
Authorized dealer: Ensure a thorough customer handover is conducted.			

DEALER VERIFICATION			
I hereby certify that prior to the first retail purchaser, assembly and preparation servicing was performed on the vehicle listed above in accordance with this checklist, and in compliance with the established procedures prescribed by UBCO limited outlined in their service manuals, sheets and bulletins.			
Dealership		Phone	
Technician name		Inspector I.D	
Technician Signature		Manager Signature	
Date		Date	

Please forward this form to: NZ - warranty@ubcobikes.com USA – supportus@ubcobikes.com
 EU – eusupport@ubcobikes.com AU - supportau@ubcobikes.com