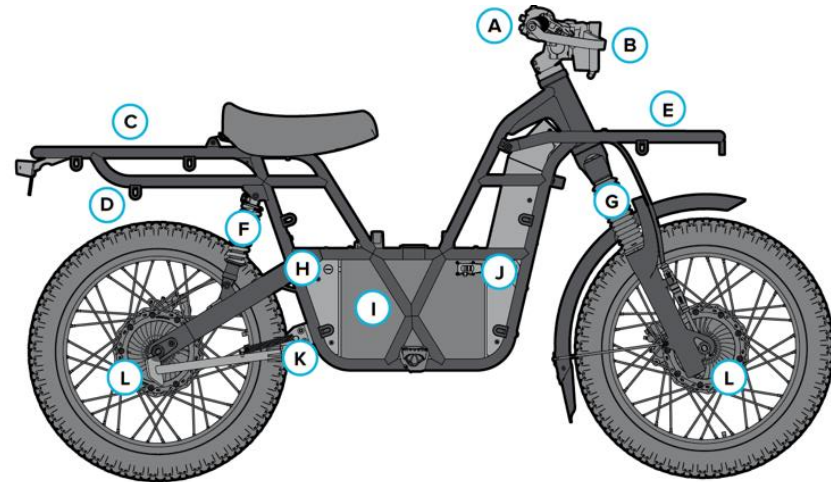
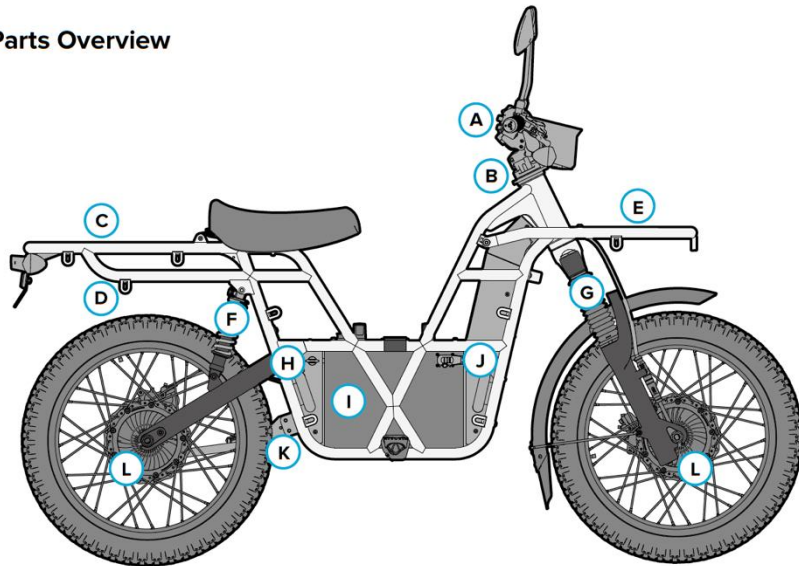


2X2 GenX5 - Basic Parts Diagram

Parts Overview





Contents

1. 2X2 - Adventure Bike

- 1.1. Complete bike assembly
- 1.2. Handlebar assembly
- 1.3. Front console components
- 1.4. Motor assembly

2. 2X2 - Work Bike

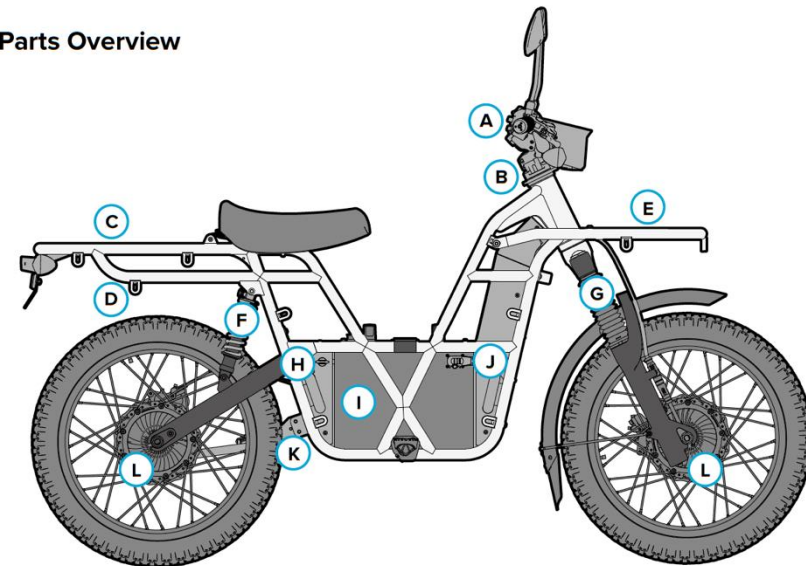
- 2.1. Complete bike assembly
- 2.2. Handlebar assembly
- 2.3. Front console components
- 2.4. Motor assembly

2X2 – ADVENTURE BIKE

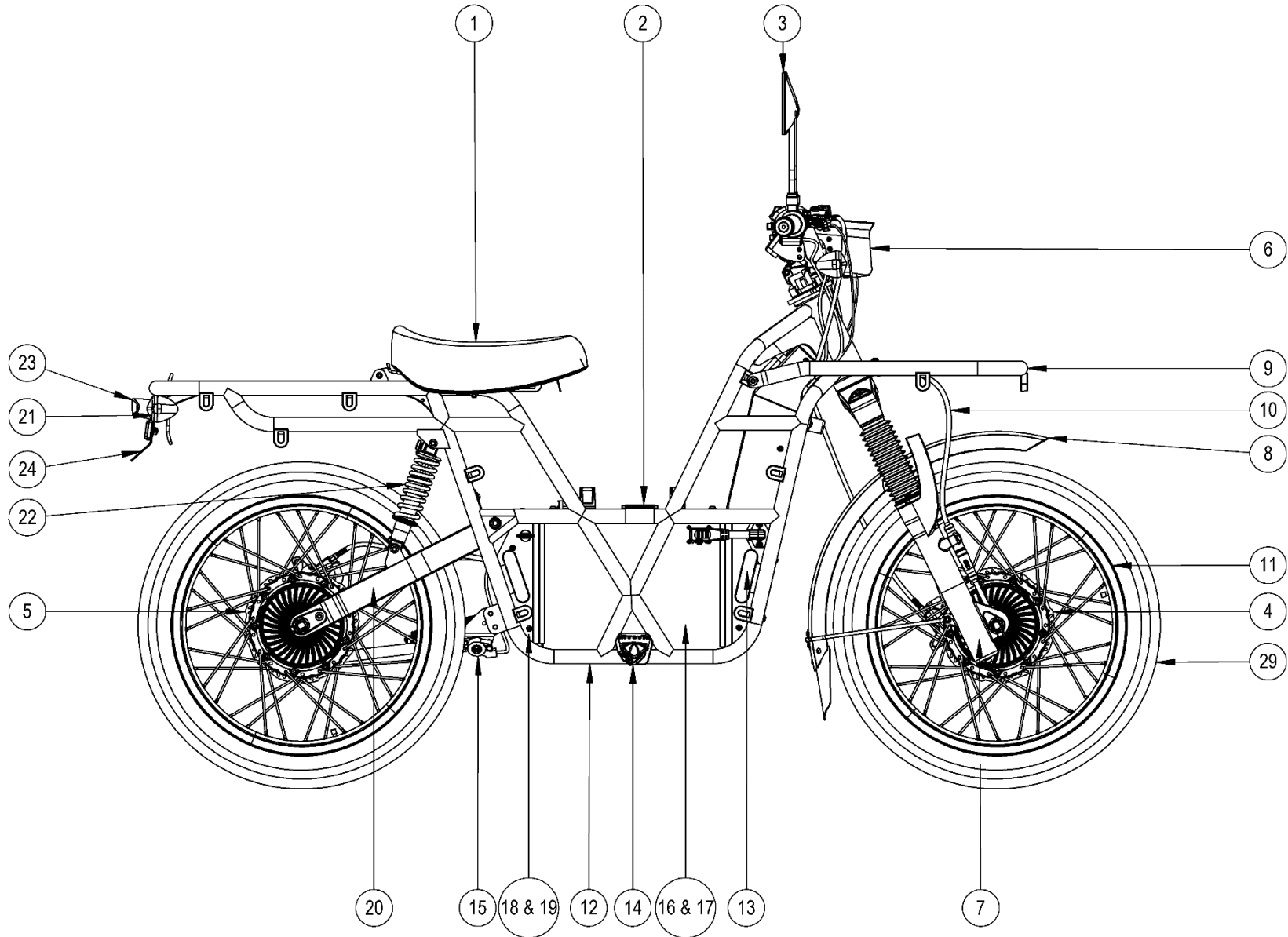
1. 2X2 - Adventure Bike

- 1.1. Complete bike assembly
- 1.2. Handlebar assembly
- 1.3. Front Console components
- 1.4. Motor Assembly

Parts Overview



2X2 GenX5 – Basic Parts Diagram



2X2 GenX5 – Basic Parts Diagram

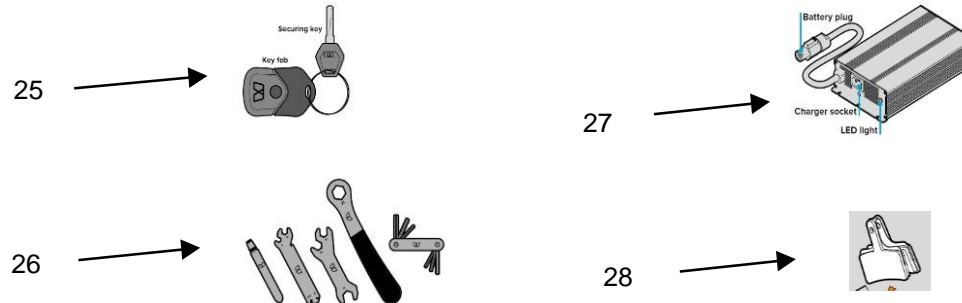


1.1. 2X2 Adventure Bike - Complete Assembly		
No.	Description	Part number
1	Seat G4/4.5/5	2x2-FA-ST-002
2	Battery Strap Velcro Metal Buckle 2017/G4/4.5/5	BTR-BST-0-002
3	Mirror with stem LHS & RHS Interchangeable G4/4.5/5	2x2-HB-MIR-001
4	Tektro Front Brake Unit G5 ADV [4700001-01]	2x2-BR-FBU-005
4	SR Front Brake Unit including hose G5 ADV	2x2-BR-FBU-007
5	Tektro Rear Brake Unit G5 ADV	2x2-BR-RBU-005
5	SR Rear Brake Unit including hose G5 ADV	2x2-BR-RBU-007
6	Headlight G5 ADV	2x2-EA-HL-003
7	Front forks G5 Black, incl steerer tube	2x2-FF-F-004
8	Front Mudguard G4/4.5/5 Assembly (including stays)	2x2-FG-FMUD-003
9	Front Carrier 2017/G4/4.5/5 White ADV	2x2-FA-FC-002
10	Motor Cable 1000mm G5 Front & Rear	2x2-EA-MC-003
11	Wheel Assembly G5 Motor, Rim, Tube & Spokes only excl tyre & rotor. WRK & ADV	2x2-WA-MRS-003
12	Frame G5 ADV White	2x2-FA-FRA-004
13	Side Reflector Amber G4/4.5/5	2x2-RF-SRA-001
13	Side Reflector Red US G4/4.5/5	2x2-RF-SRR-001
14	Footpeg Assembly Set G5 LHS & RHS	2x2-FP-ASET-002
15	Switched Kickstand Left G5 ADV	2x2-FA-KLSW-001
16	Battery 2.1kWh;14S12PLG 35MJ1	BTR-KX-2.1-001
17	Battery 3.1kWh;14S18PLG 35MJ1	BTR-KX-3.2-002
18	Rear Console Cover G5	2x2-RC-C-003
19	Rear Console Base G5	2x2-RC-B-003
20	Swing Arm Black G5	2x2-FA-SA-002
21	Direction Indicator - Gen5 ADV (Left or Right)	2x2-EA-DI-002
22	Rear Shock Each 2017/G4/4.5/5 D8 onwards each	2x2-FA-RS-003
23	Rear Light G5	2X2-EA-RL-004

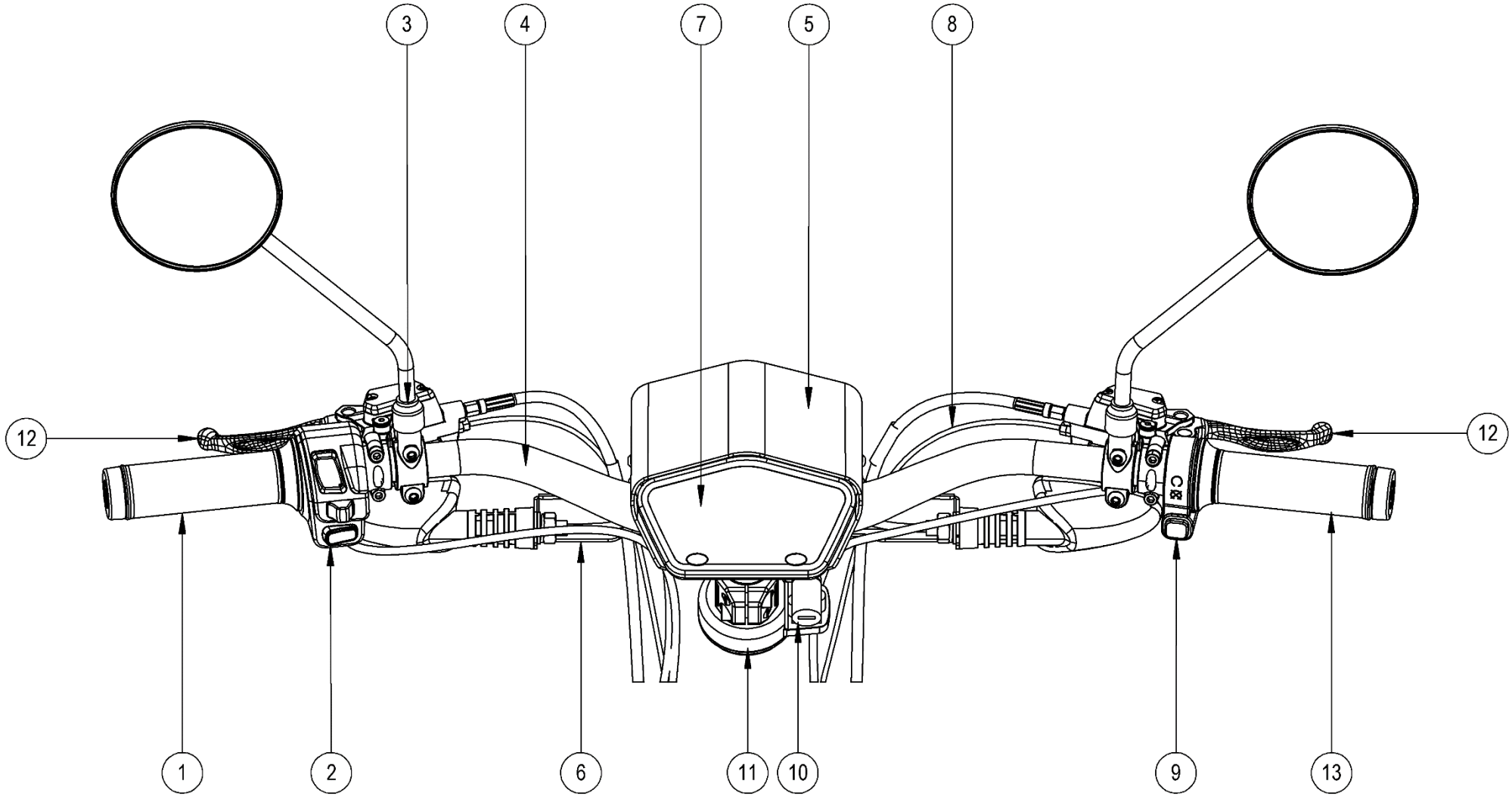
2X2 GenX5 – Basic Parts Diagram



24	Number Plate Holder G5 ADV (NZ,	2x2-EA-NPH-001
24	Number Plate Holder G5 ADV (EU)	2x2-EA-NPH-002
25	Keyless Fob complete G5	2x2-FOB-0-001
*25.1	Keyless Fob Silicone Cover G5	2X2-FOB-CS-001
26	Field Kit incl mounting plate and	2x2-FK-ADV-001
27	10A amp Fast Charger (incl power	2x2-CGR-FCNZ-002
*27.1	10A amp Fast Charger (incl power	2x2-CGR-FCSA-002
*27.2	10A amp Fast Charger (incl power	2X2-CGR-FCUK-002
*27.3	10A amp Fast Charger (incl power	2X2-CGR-FCUS-002
*28.1	Tektro Sintered Brake Pads & Springs Complete bike set boxed 2017/G4/4.5/5	2x2-BR-BPS-SET
*28.2	SR Sintered Metallic Brake Pad Pair 2 pads + 1 spring G5	2x2-BR-BPSM-Unboxed
29	All Terrain Tyre (Kenda K667)	2x2-WA-TKEN-001
*29.1	Off-road Knobbly Tyre (K783F) 70/100-17	2x2-WA-TKEN-002
*29.2	On Road Tyre (Michelin City Pro 2.75-17)	2x2-WA-TKEN-004
-	Steering Lock G4/4.5/5 ADV & G5 Battery Lock - a set of 2 locks & 4 keys	2x2-HS-STL-001



2X2 GenX5 – Basic Parts Diagram



2X2 GenX5 – Basic Parts Diagram

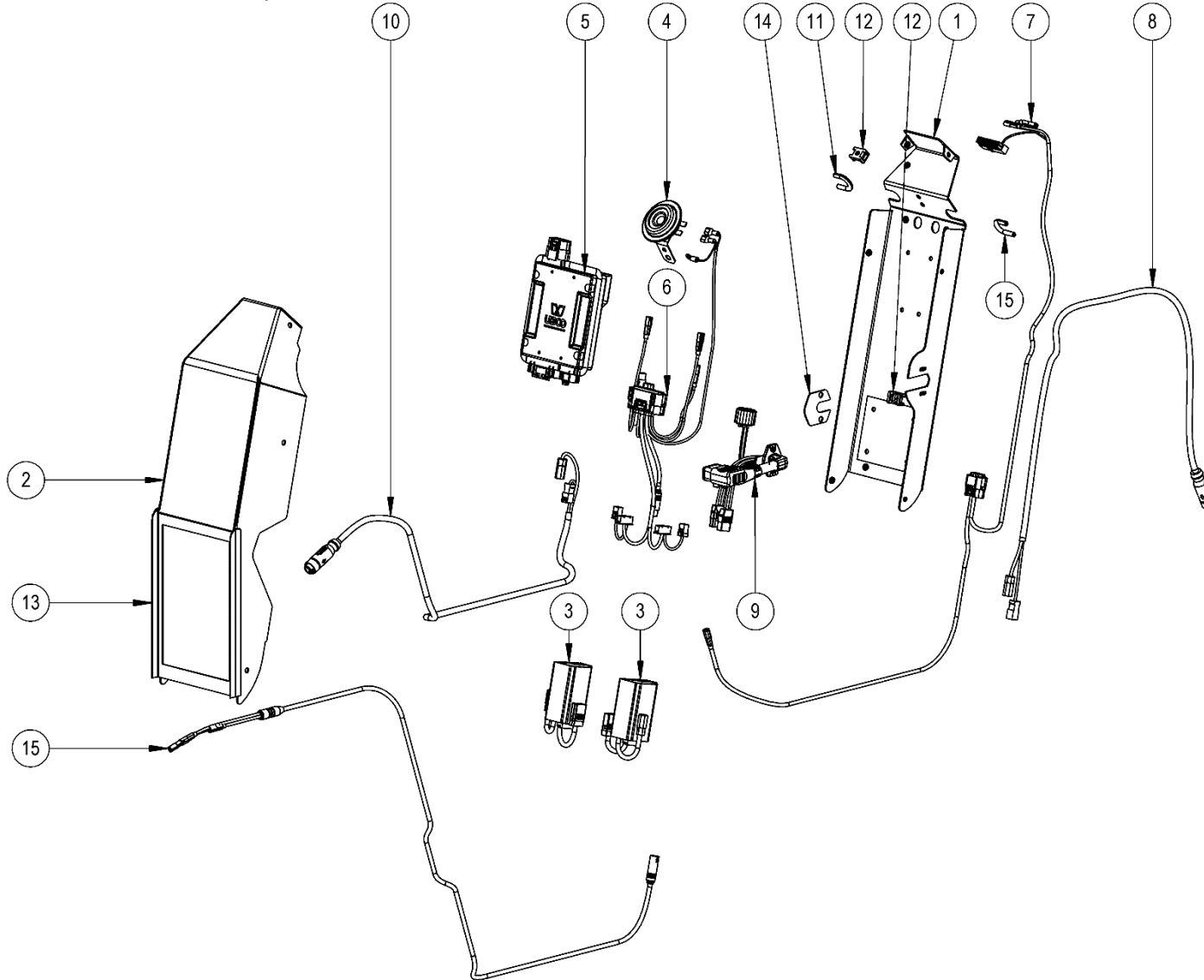


1.2. 2X2 Adventure Bike - Handlebar Assembly		
No.	Description	Part number
1	eThrottle Grip set LH & RH T428 G5	2x2-HB-EGRP-002
2	Handlebar Control with loom DK418-L G5	2x2-EA-BC-002
3	Mirror Mount for RHS (Gen4/4.5) LHS & RHS Gen5. 10mm thread.	2x2-HB-MIRM-001
3*	Mirror with stem LHS & RHS Interchangeable G4/4.5/5	2x2-HB-MIR-001
4	Handlebar 2017/G4/4.5/5 (D3 onwards) 785mm wide	2x2-HB-BR-002
5	Headlight Cover G5 ADV	2x2-EA-HC-003
6	Headlight Bracket G5 ADV	2x2-EA-HB-001
7	UBCO Speedometer Display G4/4.5/5	2x2-EA-DSP-002
8.1	Tektro Brake Reed Switch G5	2x2-EA-BSW-002
8.2	SR Brake Reed Switch G5	2x2-EA-BSW-003
9	eThrottle Grip set LH & RH T428 G5	2x2-HB-EGRP-002
10	Steering Lock G4/4.5/5 ADV & G5 Battery Lock - a set of 2	2x2-HS-STL-001
11	Headset Gen5 ADV (Neco H385EAM)	2x2-HS-0-003
12	Tektro Brake Lever Handle only LH & RH 2017/G4/4.5/5	2x2-BR-HLR-001
12*	SR brake lever handle only fits LHS & RHS G5	2x2-BR-HLR-002
13	eThrottle Grip set LH & RH T428 G5	2x2-HB-EGRP-002

2X2 GenX5 – Basic Parts Diagram



1.3 2X2 Adventure Bike – Front Console Components



2X2 GenX5 – Basic Parts Diagram

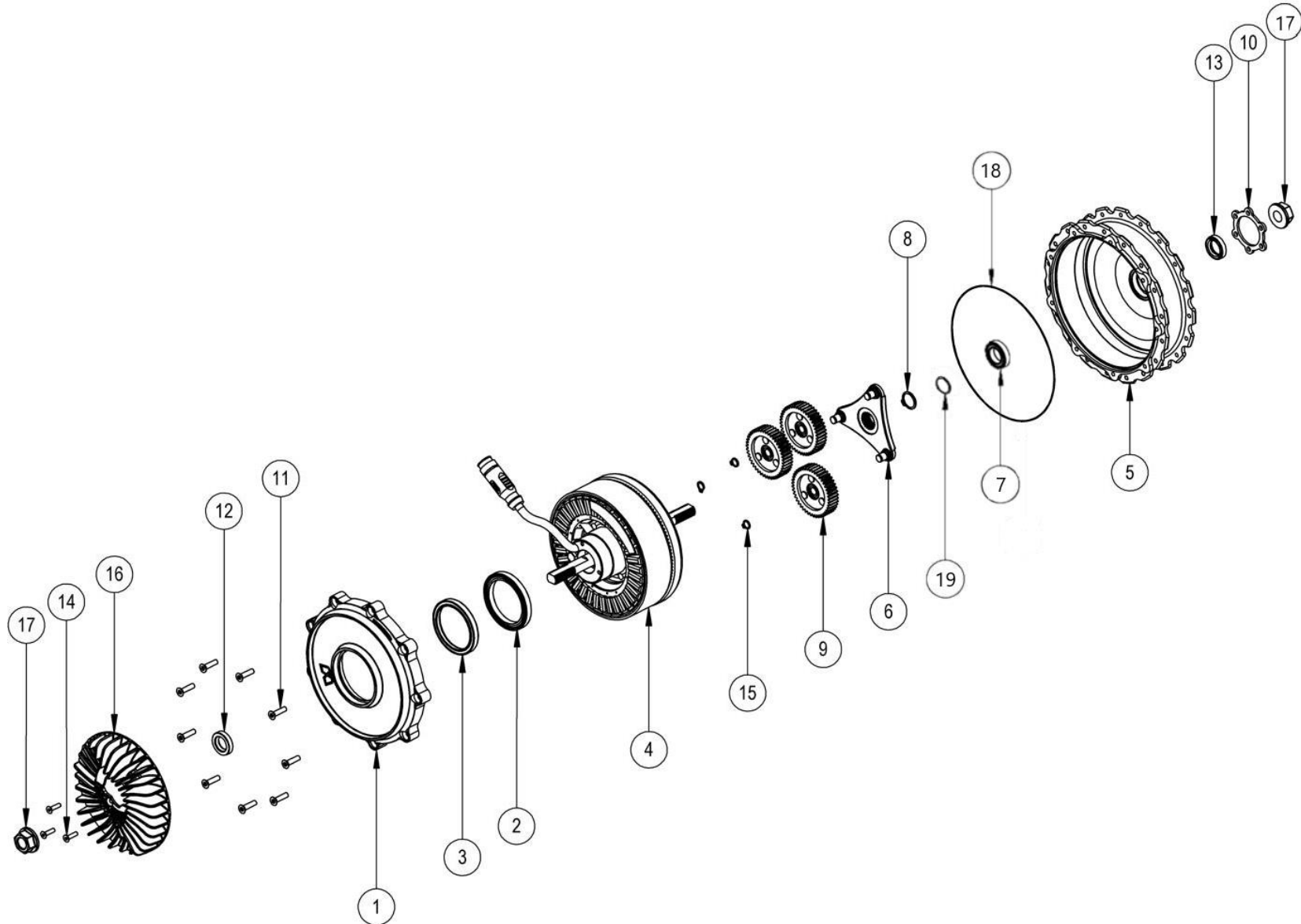


1.3. Adventure Bike - Front Console Components		
No.	Description	Part number
1	Front Console Base G5	2X2-FC-B-003
2	Front Console Cover G5	2X2-FC-C-003
3	Motor Controller V2 2017/G4/4.5/5	2X2-CR-0-002
4	Horn 2017/G4/4.5/5	2X2-EA-HRN-002
5	VMS Complete G5	2X2-EA-VMS-001
6	Main Wiring Harness G5	2X2-EL-MH-001
7	On Road Wiring Harness G5 ADV	2X2-EL-ORH-001
8	Motor Cable 1000mm G5 Front & Rear	2X2-EA-MC-003
9	Battery Plug G5	BTR-BP-0-004
10	Motor Cable 1000mm G5 Front & Rear	2X2-EA-MC-003
11	Front console edge trim Left and Right (per M)	2X2-CET-O-001
12	Screw mount cable tie mount	2X2-CTM-0-001
13	Front Console Weather Seal G5	2X2-FC-WS-001
14	Battery Plug slide fastener plate	TBC
-	M5 x 0.8 x10 Torx Button Head Screw	FAS-TBH-M5L10-001
-	M5 x 12.5 x 1.2 Flat Washer (Stainless)	FAS-SW-5x12.5X1.2-001
-	M4 x 0.7 x 16mm Torx Button Head Screw	FAS-HCH-M4L16-001
-	Battery Plug Seal (orange) G5	BTR-BP-S-001

2X2 GenX5 – Basic Parts Diagram



1.4 2X2 Adventure Bike – Motor Assembly



2X2 GenX5 – Basic Parts Diagram

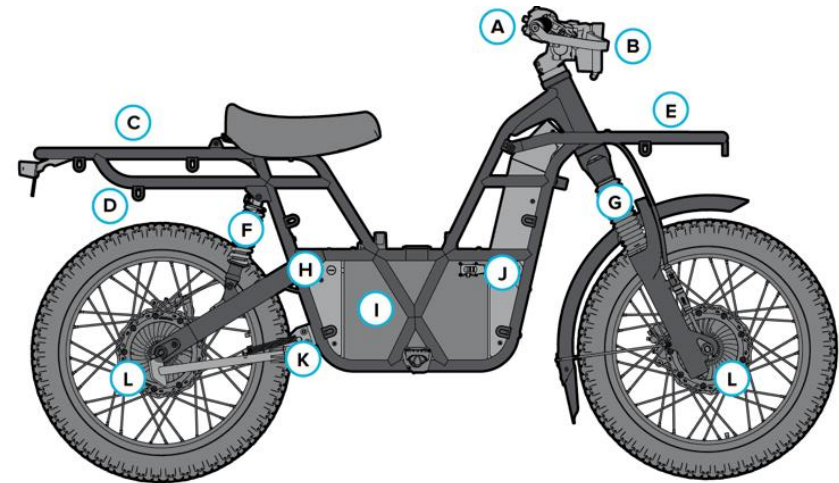


1.4. Adventure Bike – Motor Assembly		
No.	Description	Part number
1	Motor Side Cover G5	2X2-MA-MS-002
2	Motor Bearing Large 6810-2RS G4/4.5/5	2X2-MA-LBRG-002
3	Motor Large Radial Seal Gen4/4.5/5	2X2-MA-LRS-001
4	Motor Core Assembly G5	2X2-MA-C-003
5	Motor Main Case G5 9G	2x2-MA-MMC-002
6	Planetary Gear Frame splined G5	2X2-MA-GF-003
7	Motor Bearing Small 6903-2RS 2017/Gen4/4.5/5	2X2-MA-SBRG-001
8	Axle Circlip 16mm G5	2x2-MA-ACL-002
9	Planetary Gear G4/4.5/G5 Ertalon 12.5mm - set of 3	2X2-MA-PLGE-002
10	Motor Brake Rotor Spacer - 2.5mm Aluminium - G5 bikes and upgrades to 9g	2X2-MA-BRS-004
11	Motor Case Screw M5x17 T25 CSK G5	2x2-MA-MCS-003
12	Oil Seal 14x26x6SC G5	2x2-MA-RS-001
13	Motor Small Radial Seal 16X26X6SC G5 only	2X2-MA-SRS-002
14	Motor Radiator Screw M4x12 CSK T-20 G4/4.5/5	2x2-MA-RADS-001
15	Planetary Gear Circlip each 2017/G4/4.5/5 (order x3 per motor)	2X2-MA-PGCC-001
16	Motor Radiator G5	2X2-MA-RAD-002
17	Wheel Nut	2X2-WA-WN-001
18	Motor case O-Ring	2X2-MA-ORNG-001
19	Wave Washer	2x2-MA-WSW-001
-	Motor Vent	2X2-MA-VENT-001

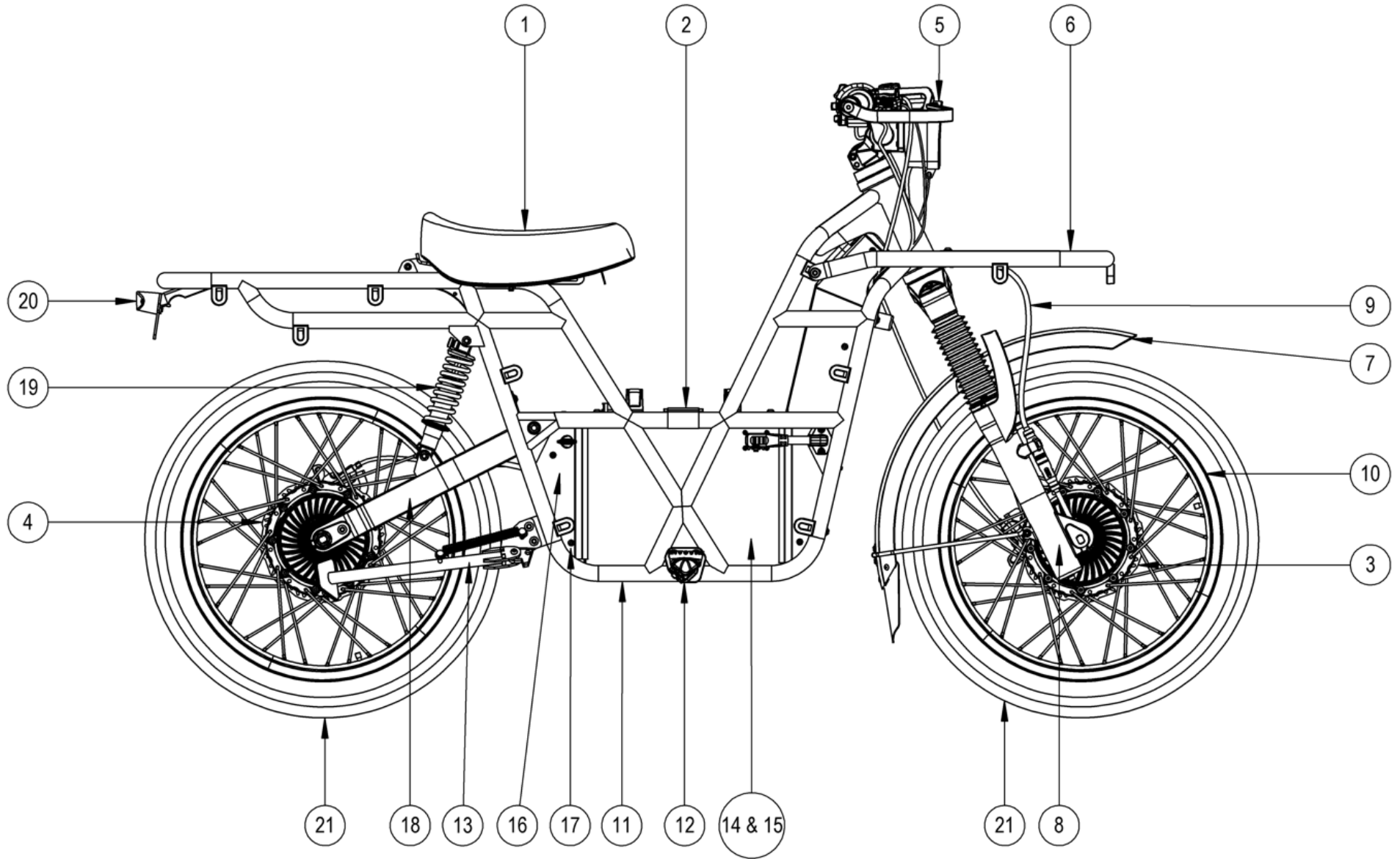
2X2 – WORK BIKE

2. Work Bike

- 2.1. Complete Bike assembly
- 2.2. Handlebar assembly
- 2.3. Front Console
- 2.4. Motor Assembly



2X2 GenX5 – Basic Parts Diagram



2X2 GenX5 – Basic Parts Diagram

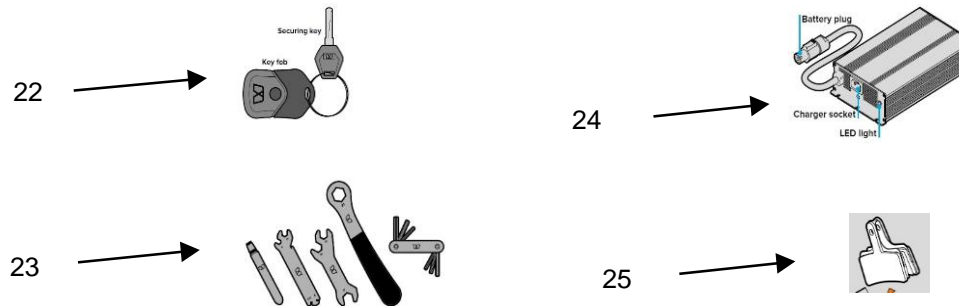


2.1. Work Bike - Complete bike Assembly		
No.	Description	Part number
1	Seat G4/4.5/5	2x2-FA-ST-002
2	Battery Strap Velcro Metal Buckle 2017/G4/4.5/5	BTR-BST-0-002
3	Tektro Front Brake Unit G5 WRK [4700003-01]	2x2-BR-FBU-004
3	SR Front Brake Unit including hose - G5 WRK	2x2-BR-FBU-008
4	Tektro Rear Brake Unit - G5 WRK	2x2-BR-RBU-004
4	SR Rear Brake Unit including hose - G5 WRK	2x2-BR-RBU-008
5	27W LED Headlight Square 2017/G5 WRK	2x2-EA-HL-002
6	Front Carrier Black G5 WRK	2x2-FA-FC-003
7	Front Mudguard G4/4.5/5 Assembly (including stays)	2x2-FG-FMUD-003
8	Front forks G5 Black, incl steerer tube	2x2-FF-F-004
9	Motor Cable 1000mm G5 Front & Rear	2x2-EA-MC-003
10	Wheel Assembly G5 Motor, Rim, Tube & Spokes only excl tyre & rotor. WRK & ADV	WRK & ADV
11	Frame G5 WRK Black	2x2-FA-FRA-005
12	Footpeg Assembly Set G5 LHS & RHS	2x2-FP-ASET-002
13	Kickstand Assembly Left G5 WRK	2x2-FA-NRKL-002
*13.1	Kickstand Assembly Right G5 WRK	2x2-FA-NRKR-002
14	Battery 2.1kWh;14S12PLG 35MJ1	BTR-KX-2.1-001
15	Battery 3.1kWh;14S18PLG 35MJ1	BTR-KX-3.2-002
16	Rear Console Cover G5	2x2-RC-C-003
17	Rear Console Base G5	2x2-RC-B-003
18	Swing Arm Black G5	2x2-FA-SA-002
19	Rear Shock Each 2017/G4/4.5/5 D8 onwards each	2x2-FA-RS-003
20	Rear Light G5	2X2-EA-RL-004
21	Off-road Knobbly Tyre (K783F) 70/100-17	2x2-WA-TKEN-002
22	Keyless Fob complete G5	2x2-FOB-0-001
*22.1	Keyless Fob Silicone Cover G5	2X2-FOB-CS-001
23	Field Kit incl Mounting Plate and Tektro brake pads-WRK	2x2-FK-WRK-001

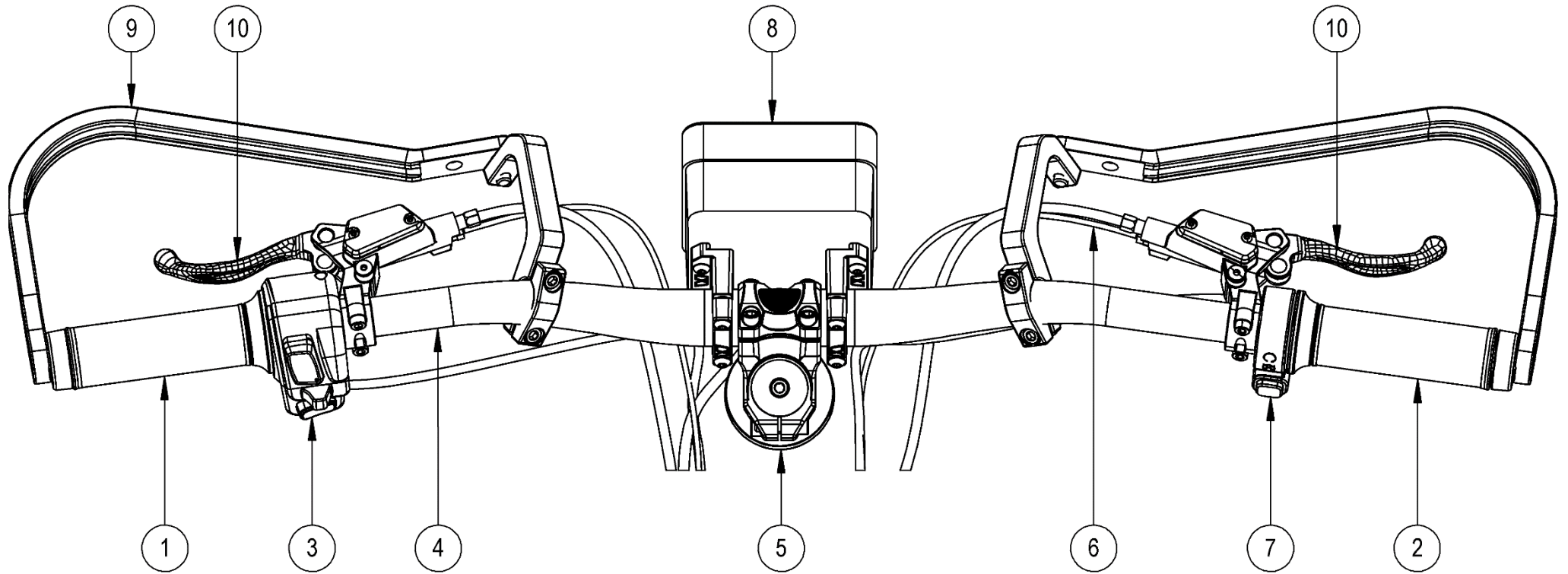
2X2 GenX5 – Basic Parts Diagram



24	10A amp Fast Charger (incl power cable) NZ/AU	2x2-CGR-FCNZ-002
*24.1	10A amp Fast Charger (incl power cable) SA	2x2-CGR-FCSA-002
*24.2	10A amp Fast Charger (incl power cable) UK	2X2-CGR-FCUK-002
*24.3	10A amp Fast Charger (incl power cable) US	2X2-CGR-FCUS-002
*25.1	Tektro Sintered Brake Pads & Springs Complete bike set boxed 2017/G4/4.5/5	2x2-BR-BPS-SET
*25.2	SR Sintered Metallic Brake Pad Pair 2 pads + 1 spring G5	2x2-BR-BPSM-Unboxed



2X2 GenX5 – Basic Parts Diagram

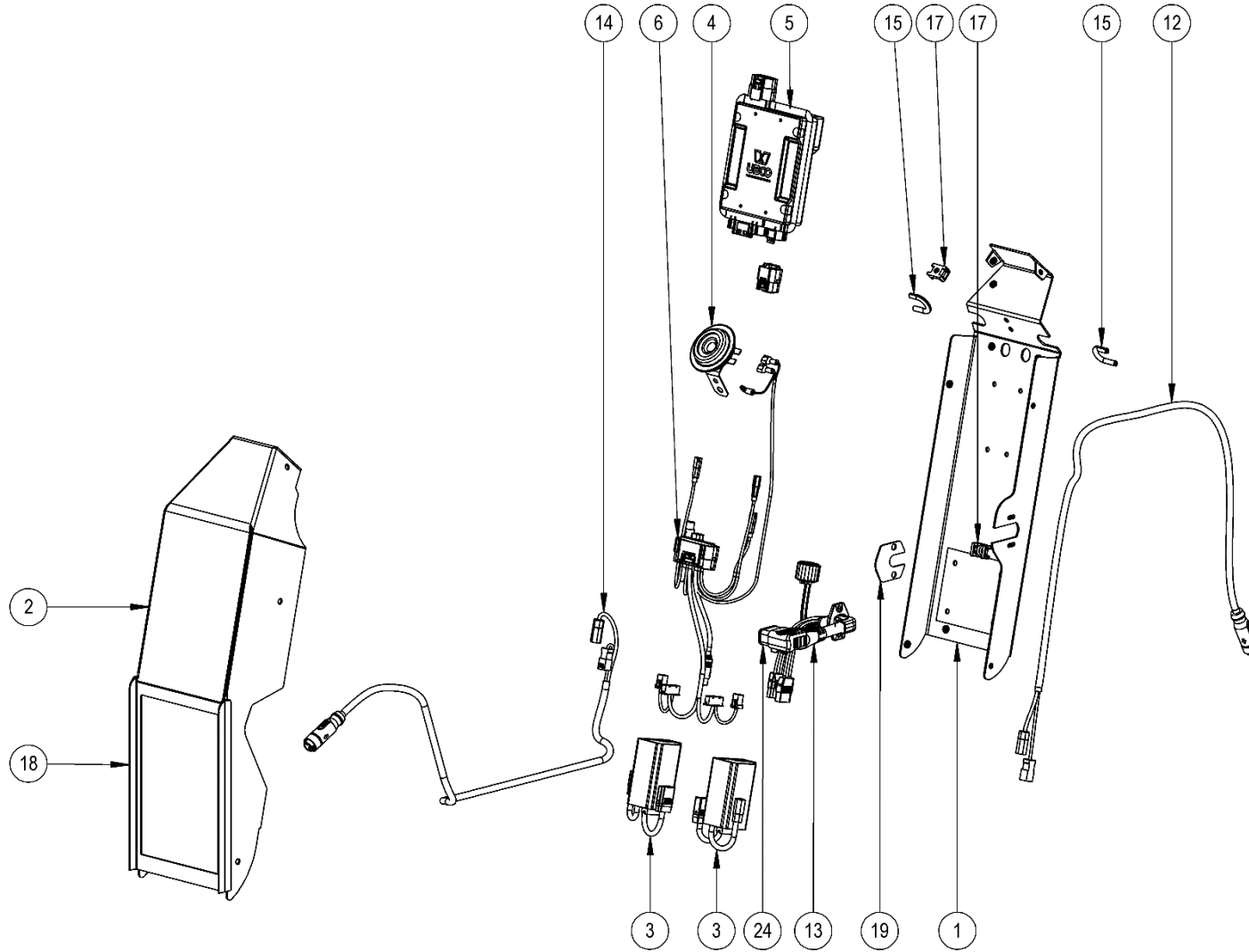


2X2 GenX5 – Basic Parts Diagram



2.2 Work Bike - Handlebar Assembly		
No.	Description	Part number
1	eThrottle Grip set LH & RH T428 G5	2x2-HB-EGRP-002
2	eThrottle Grip set LH & RH T428 G5	2x2-HB-EGRP-002
3	Handlebar Control with loom DK418-L G5	2x2-EA-BC-002
4	Handlebar 2017/G4/4.5/5 (D3 onwards) 785mm wide	2x2-HB-BR-002
5	Headset Gen5 ADV (Neco H385EAM)	2X2-HB-BR-002
6	Tektro Brake Reed Switch G5	2x2-EA-BSW-002
6.1*	SR Brake Reed Switch G5	2x2-EA-BSW-003
7	eThrottle Grip set LH & RH T428 G5	2x2-HB-EGRP-002
8	27W LED Headlight Square 2017/G5 WRK	2x2-EA-HL-002
9	UBCO Lever Guard Set - G4/4.5/5	2X2-BR-LG-001
10	Tektro Brake Lever Handle only LH & RH 2017/G4/4.5/5	2x2-BR-HLR-001
10.1*	SR brake lever handle only fits LHS & RHS G5	2x2-BR-HLR-002

2X2 GenX5 – Basic Parts Diagram

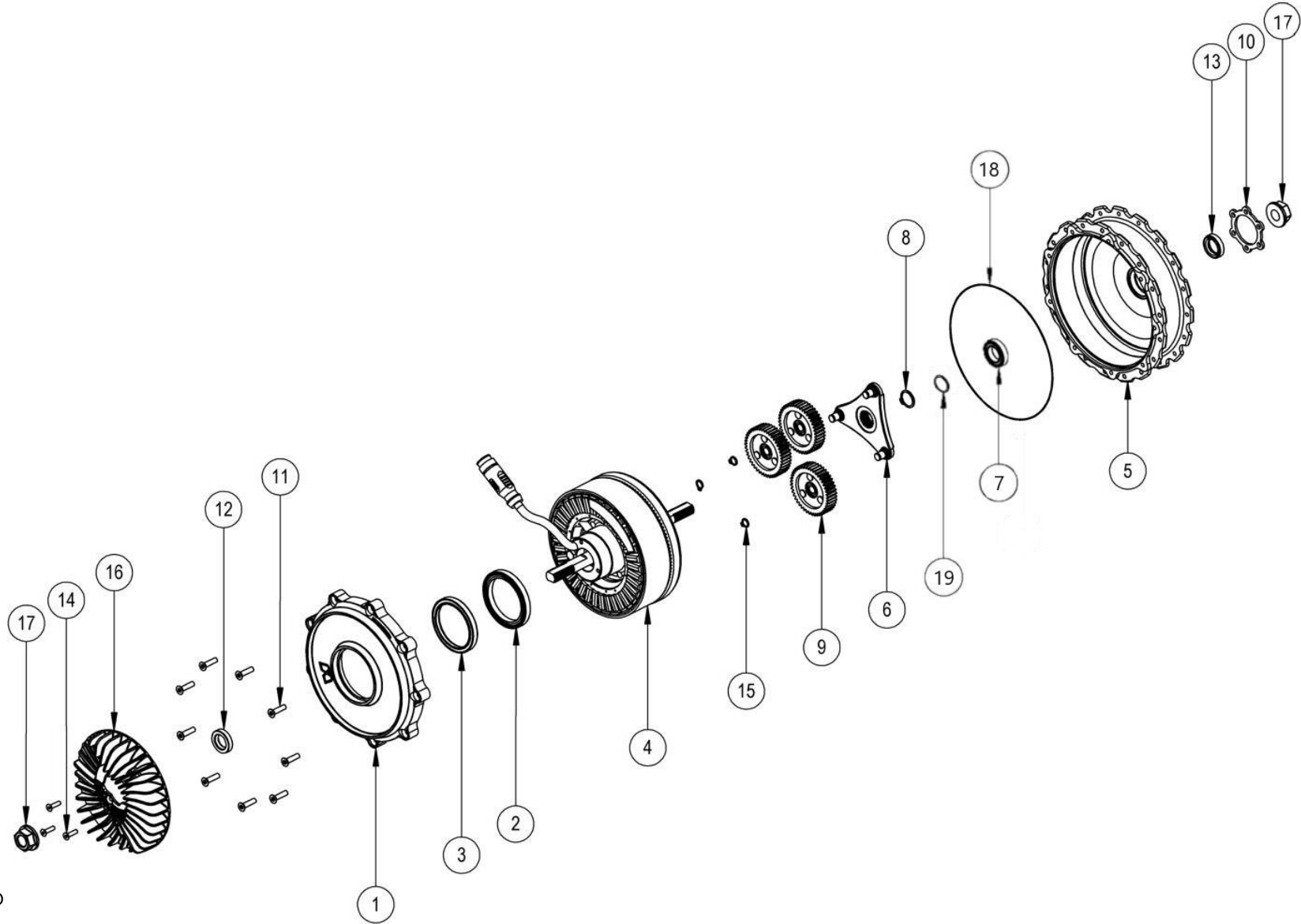


2X2 GenX5 – Basic Parts Diagram



2.3. Work Bike - Front Console Components		
No.	Description	Part number
1	Front Console Base G5	2X2-FC-B-003
2	Front Console Cover G5	2X2-FC-C-003
3	Motor Controller V2 2017/G4/4.5/5	2X2-CR-0-002
4	Horn 2017/G4/4.5/5	2X2-EA-HRN-002
5	VMS Complete G5	2X2-EA-VMS-001
6	Main Wiring Harness G5	2X2-EL-MH-001
12	Motor Cable 1000mm G5 Front & Rear	2X2-EA-MC-003
13	Battery Plug G5	BTR-BP-0-004
14	Motor Cable 1000mm G5 Front & Rear	2X2-EA-MC-003
15	Front console edge trim Left and Right (per M)	2X2-CET-O-001
17	Screw mount cable tie mount	2X2-CTM-0-001
18	Front Console Weather Seal G5	2X2-FC-WS-001
19	Battery Plug slide fastener plate	TBC
24	Battery Plug Seal (orange) G5	BTR-BP-S-001
-	M5 x 0.8 x10 Torx Button Head Screw	FAS-TBH-M5L10-001
-	M5 x 12.5 x 1.2 Flat Washer (Stainless)	FAS-SW-5x12.5X1.2-001
-	M4 x 0.7 x 16mm Torx Button Head Screw	FAS-HCH-M4L16-001

2X2 GenX5 – Basic Parts Diagram



2X2 GenX5 – Basic Parts Diagram



2.4. Work Bike – Motor Assembly		
No.	Description	Part number
1	Motor Side Cover G5	2X2-MA-MSC-002
2	Motor Bearing Large 6810-2RS G4/4.5/5	2X2-MA-LBRG-002
3	Motor Large Radial Seal Gen4/4.5/5	2X2-MA-LRS-001
4	Motor Core Assembly G5	2X2-MA-C-003
5	Motor Main Case G5 9G	2x2-MA-MMC-002
6	Planetary Gear Frame splined G5	2X2-MA-GF-003
7	Motor Bearing Small 6903-2RS 2017/Gen4/4.5/5	2X2-MA-SBRG-001
8	Axle Circlip 16mm G5	2x2-MA-ACL-002
9	Planetary Gear G4/4.5/G5 Ertalon 12.5mm - set of 3	2X2-MA-PLGE-002
10	Motor Brake Rotor Spacer - 2.5mm Aluminium - G5	2X2-MA-BRS-004
11	Motor Case Screw M5x17 T25 CSK G5	2x2-MA-MCS-003
12	Oil Seal 14x26x6SC G5	2x2-MA-RS-001
13	Motor Small Radial Seal 16X26X6SC G5 only	2X2-MA-SRS-002
14	Motor Radiator Screw M4x12 CSK T-20 G4/4.5/5	2x2-MA-RADS-001
15	Planetary Gear Circlip each 2017/G4/4.5/5 (order x3 per motor)	2X2-MA-PGCC-001
16	Motor Radiator G5	2X2-MA-RAD-002
17	Wheel Nut	2X2-WA-WN-001
18	Motor case O-Ring	2X2-MA-ORNG-001
19	Wave Washer	2x2-MA-WSW-001
-	Motor Vent	2X2-MA-VENT-001